



clever

G R I F F E R I A

REF: 61117

DESCRIPTION: Wall mounted single mixer.

SERIE: HYGIENIC

GAMA: COLECTIVIDADES

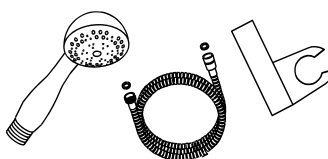
EAN: 8425144240730

NORMATIVA: UNE 19703, UNE-EN 817

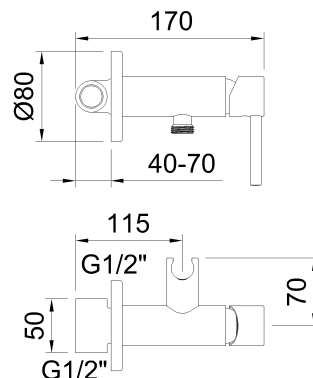
PRODUCT IMAGE:



Included:



TECHNICAL DRAWING:



FINISH:



Chrome

NUMBER OF FUNCTIONS:



WARRANTY:



SPARE PARTS:



97824
Ceramic cartridge
25



61285
Handle



61283
Several spare
parts

TECHNOLOGIES:



Headwork/Diverter cartridge
with ceramic disc



clever

G R I F E R I A

EXPLODED VIEW:

